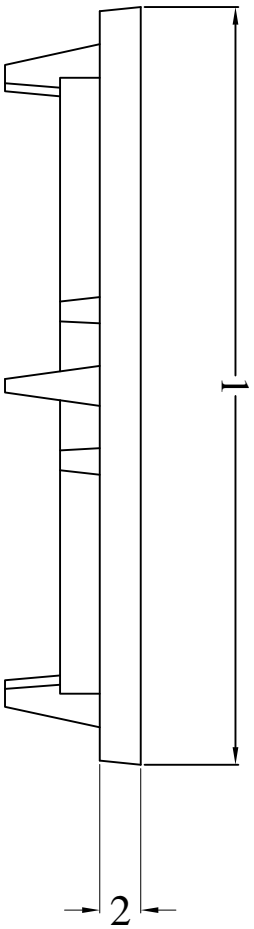
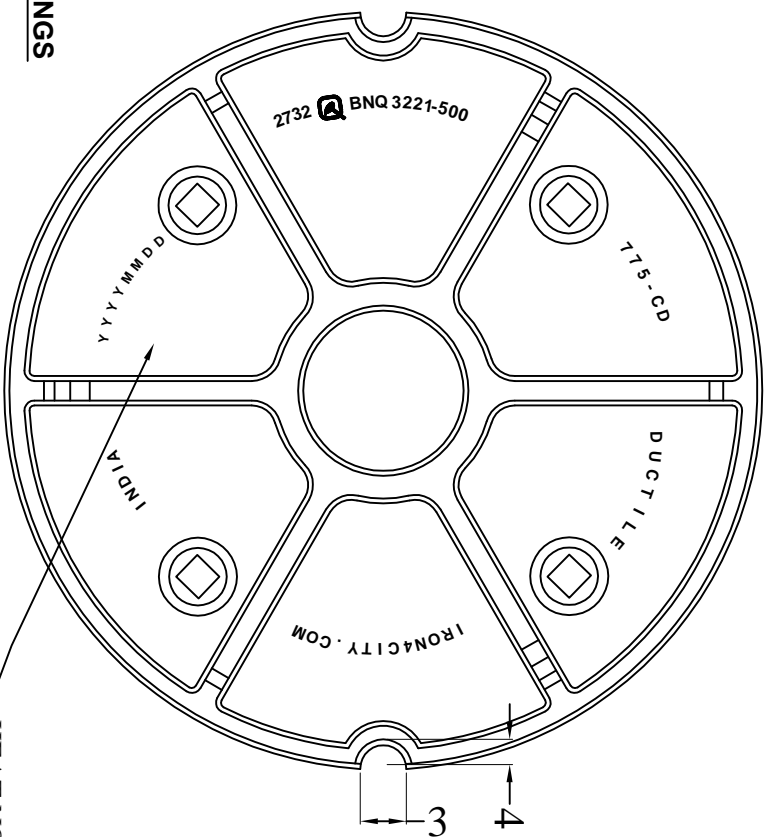


OPTIONAL MARKINGS
 PLUVIAL
 SANITAIRE
 UNITAIRE



BNQ 3221-500/2017
 Dimensions

IRON4CITY.COM		MIN	MAX
Date:	2015-05-08	771 mm	775 mm
produit/product:	775-CD	41 mm	44 mm
Masse /weight:	72 kg.	40 mm	50 mm
Fonte Ductile/Ductile Iron	A536 65-45-12	20 mm	45 mm
Load Test Requirement Min.	250 KN	30 mmX30 mm	38 mmX38 mm

REV.	DESCRIPTION	DATE
C	Modify as per BNQ3221-500/2017	2018.12.14
B	COMBINE to UNITAIRE	2017.06.19
A	BNQ Logo & Number	2017.06.08